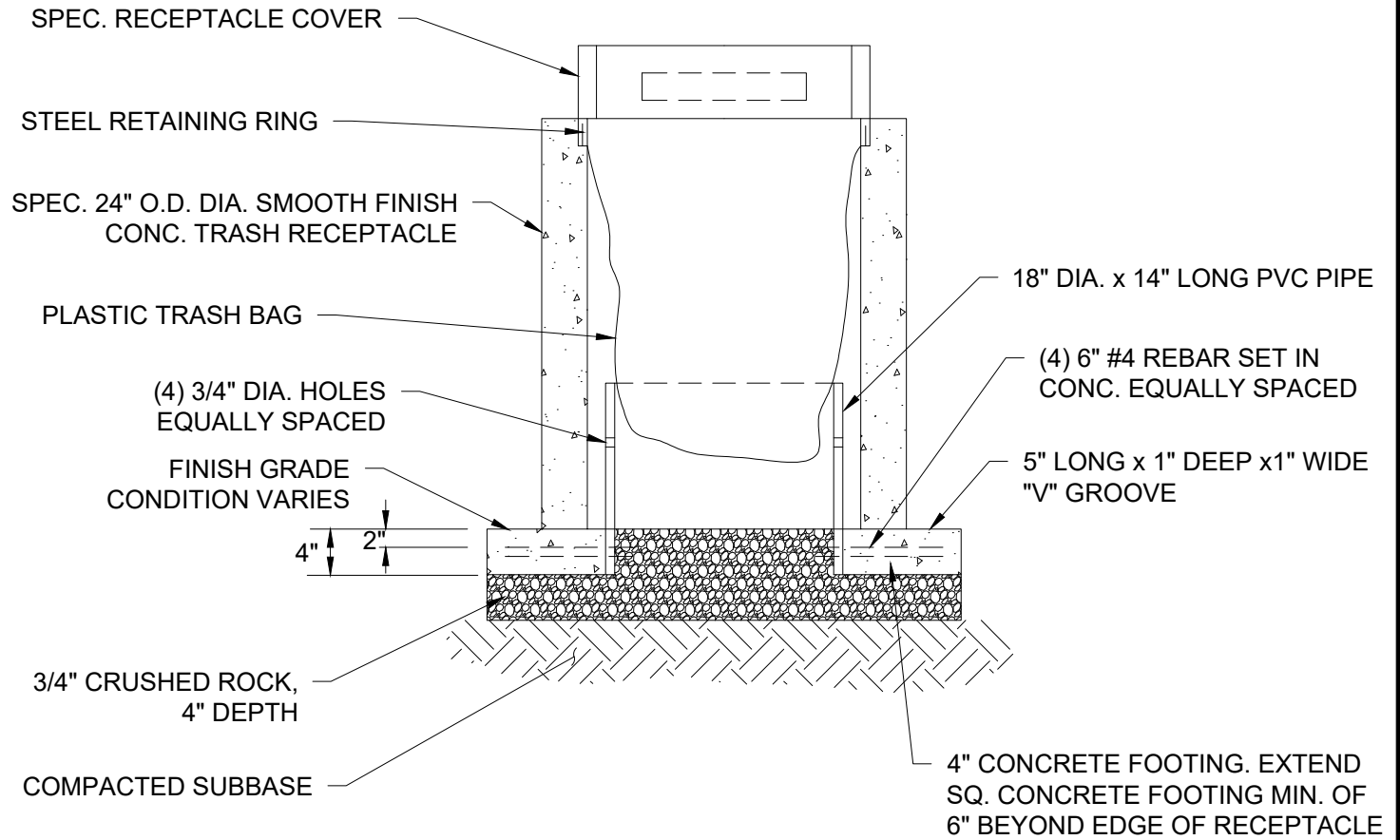


FILENAME: y:\inter-departmental\development engineering projects\public works standards\2.0 pws revision copy\details\700\_parks\701.dwg, Plotted 3/17/2021 10:56 AM, By: Kimberly Bogert, ANSI FULL BLEED A (8.50 X 11.00 INCHES)



CITY OF GRESHAM

TRASH RECEPTACLE

PWS VERSION: MARCH 2021

DRAWN KRB

REV. DATE JAN 2019

APPR. *[Signature]*

DETAIL NO. 701